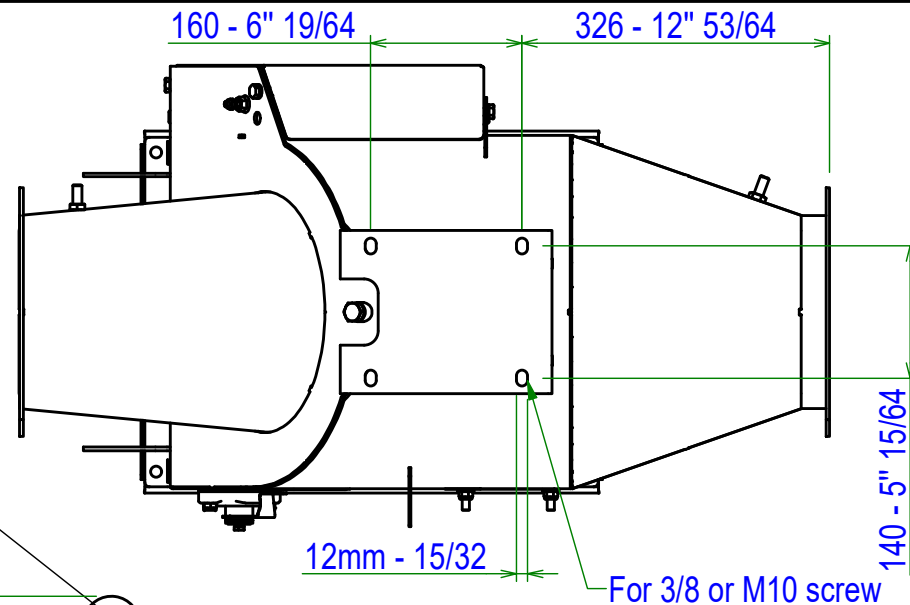
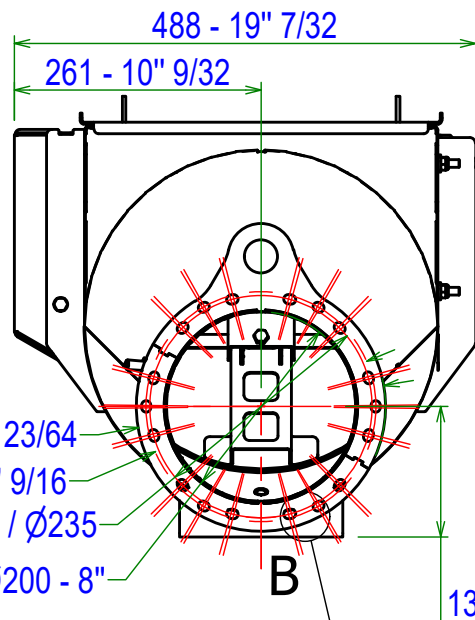


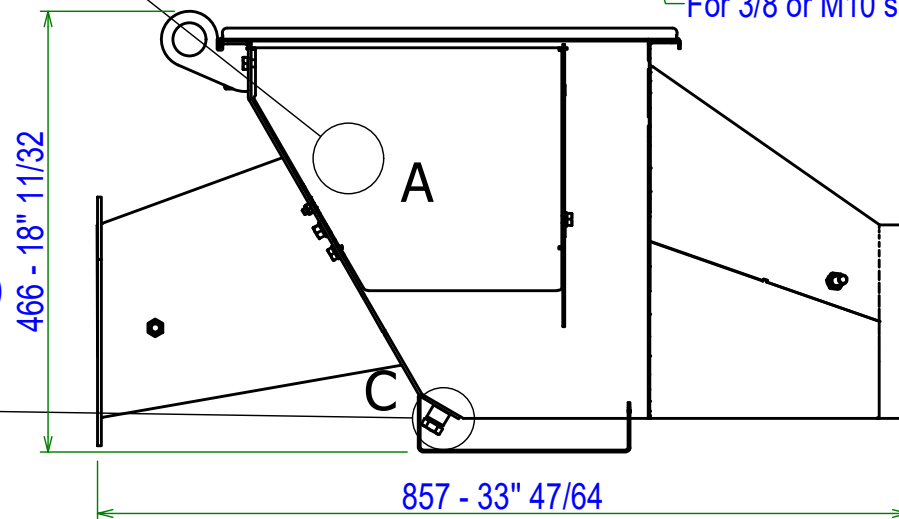
A (Flap position detector)



Inductive detector M12 - 15/32



C (Build up detector)



Outside Ø263,2 - 10" 23/64

IMP axis 6xØ3/8 / 9" 9/16

EU axis 12xØ10 / Ø235

Inside Ø200 - 8"

B

138 - 5" 7/16

Capacitive detector M12 - 15/32

B

12mm - 15/32

10

9,5mm - 3/8

13

Pressure resistance = 2bar

Optimal flanges and flange gaskets

Informative dimension

Weight : 30Kg

A	Création	19/03/21	BM	MJ
Ind.	Objet de la modification	Date	Nom	Vérif.
Matière:		Date de création: 19/03/2021	A4	Ech.: s/e
Plan n°: 57VP_020_Clt				
Désignation: <b>VigiFlap PASSIVE Ø200-8"</b>				